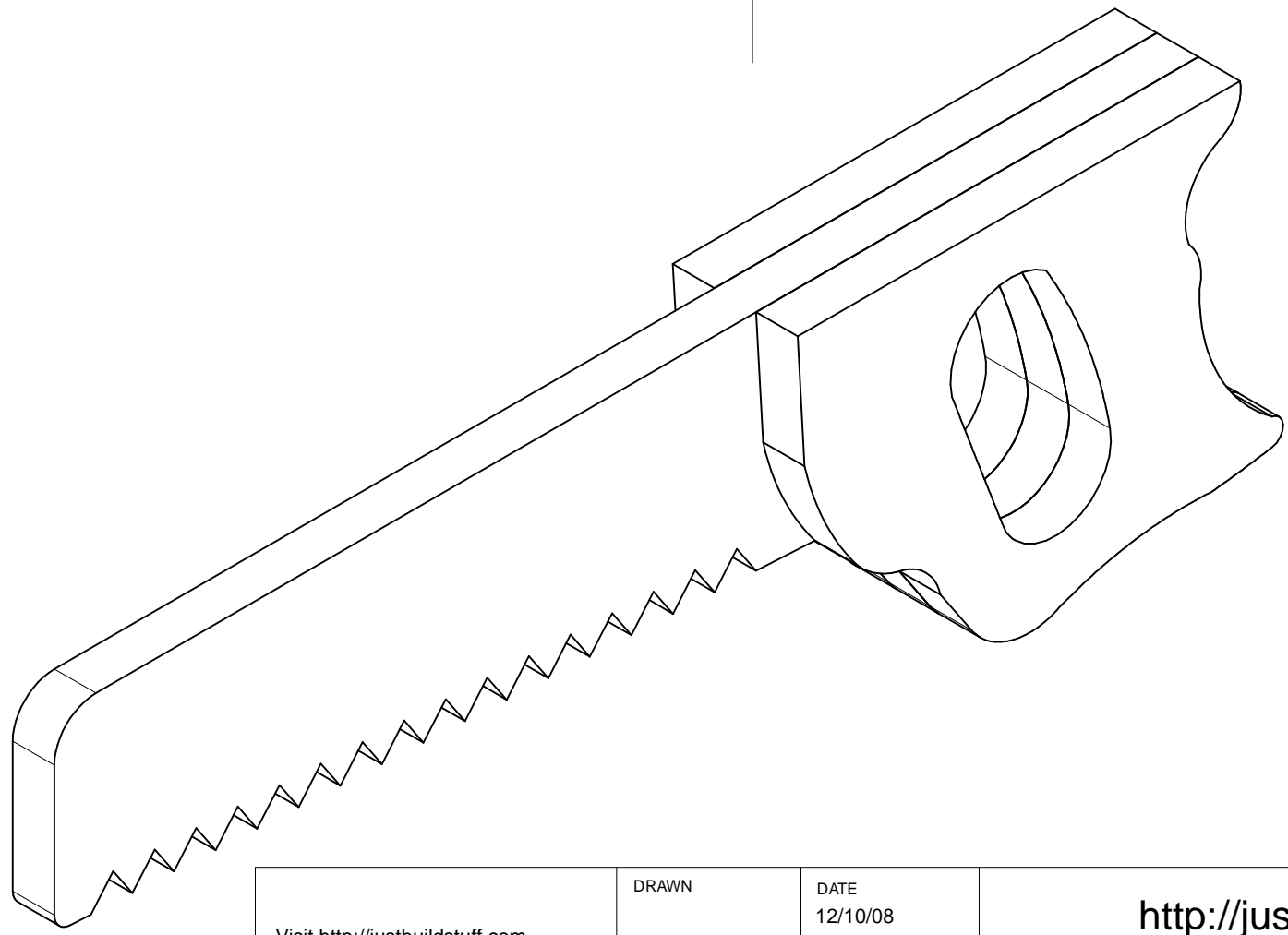




REVISIONS

| ZONE | REV | DESCRIPTION | DATE | APPROVED |
|------|-----|-------------|------|----------|
|------|-----|-------------|------|----------|



CUT PIECES ACCORDING TO PATTERN ON THE NEXT PAGE FROM 1/4 INCH THICK MATERIAL.

GLUE THE THREE PIECES TOGETHER USING WOOD GLUE AND CLAMPS.

SAND ALL SHARP EDGES.

FINISH WITH A CHILD SAFE FINISH OF YOUR CHOICE.

\* ONE SCRAP OF 1/4" PLYWOOD APPOX 8" x 10" WILL PROVIDE ALL THE NECESSARY MATERIAL TO COMPLETE THE PROJECT.

|  |          |      |          |
|--|----------|------|----------|
| Visit <a href="http://justbuildstuff.com">http://justbuildstuff.com</a> to find more information on building this saw plus plans for many more interesting projects. | DRAWN    | DATE | 12/10/08 |
|  | CHECKED  |      |          |
|  | QA       |      |          |
|  | MFG      |      |          |
|  | APPROVED |      |          |

<http://justbuildstuff.com/>

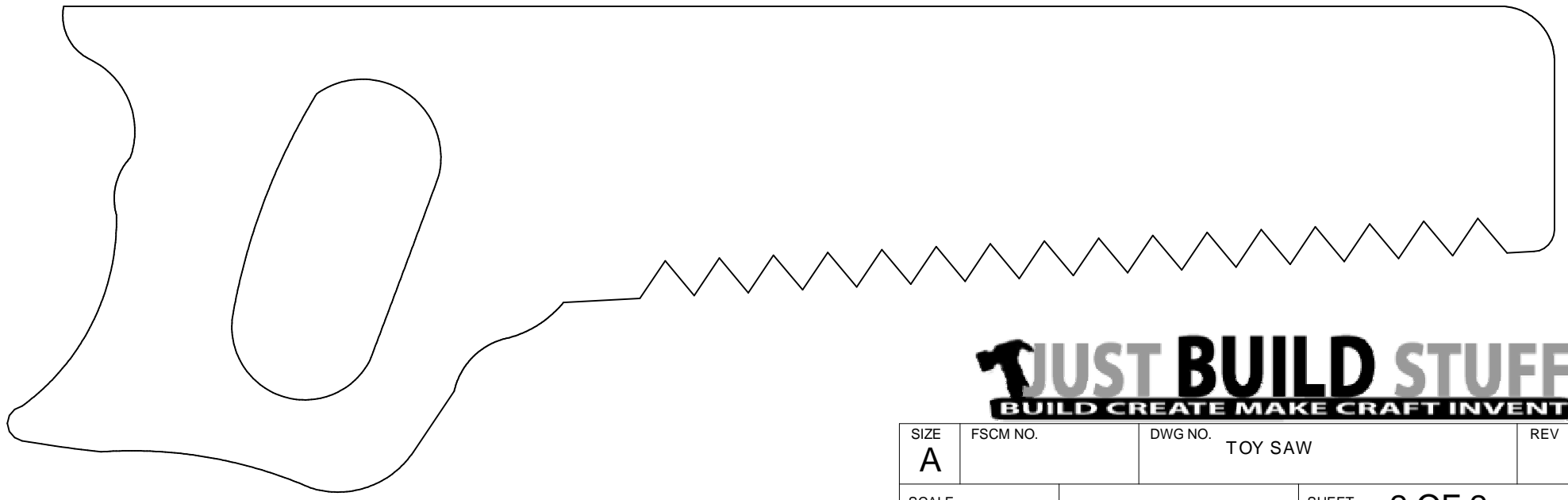
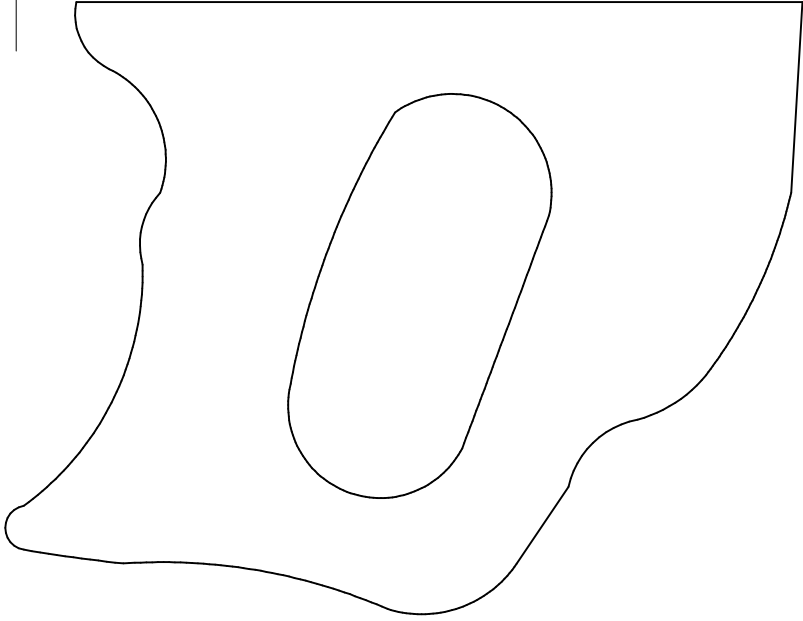
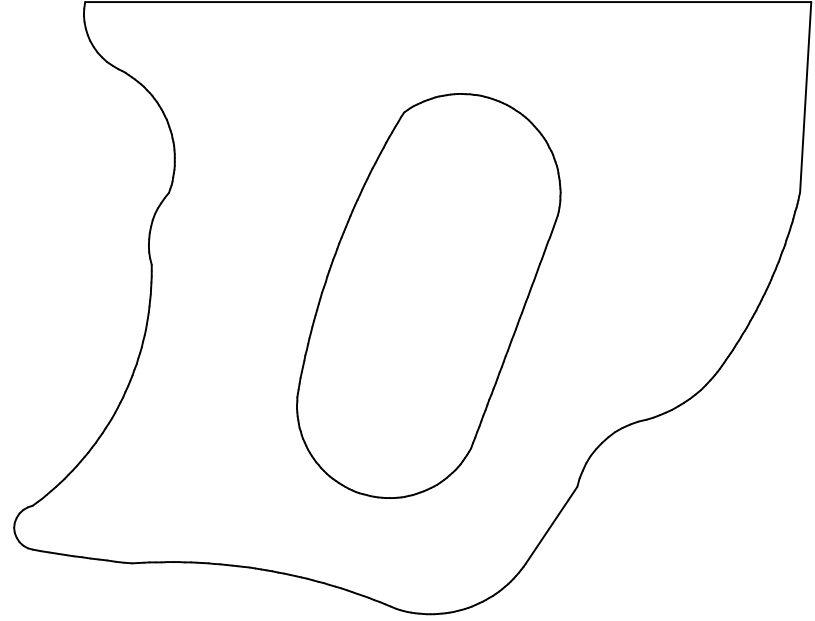
|       |          |         |              |
|-------|----------|---------|--------------|
| SIZE  | FSCM NO. | DWG NO. | REV          |
| A     |          | TOY SAW |              |
| SCALE |          |         | SHEET 1 OF 2 |





REVISIONS

| ZONE | REV | DESCRIPTION | DATE | APPROVED |
|------|-----|-------------|------|----------|
|------|-----|-------------|------|----------|



**JUST BUILD STUFF**  
 BUILD CREATE MAKE CRAFT INVENT

|                  |          |                    |                     |
|------------------|----------|--------------------|---------------------|
| SIZE<br><b>A</b> | FSCM NO. | DWG NO.<br>TOY SAW | REV                 |
| SCALE            |          |                    | SHEET <b>2 OF 2</b> |

